

**Metris S**  
**Single lever basin mixer 100 without waste set**  
 Surfaces: **Chrome** Article Number: **31068000**



### Description

#### product features

- ComfortZone 100
- spray type: normal spray
- flow rate at 3 bar: 5 l/min
- ceramic cartridge
- temperature limitation adjustable
- suitable for continuous flow water heaters
- connection type: G 3/8 connections
- connection dimension: DN15

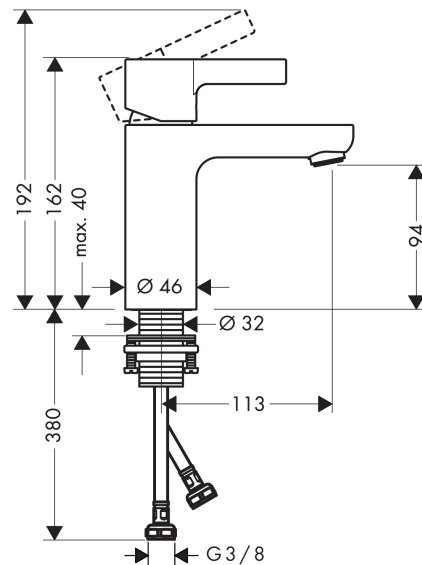
### Technology



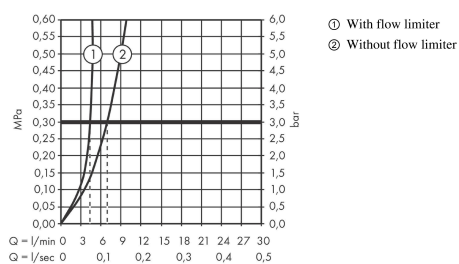
### Product image



### Scale drawing



### Flowchart

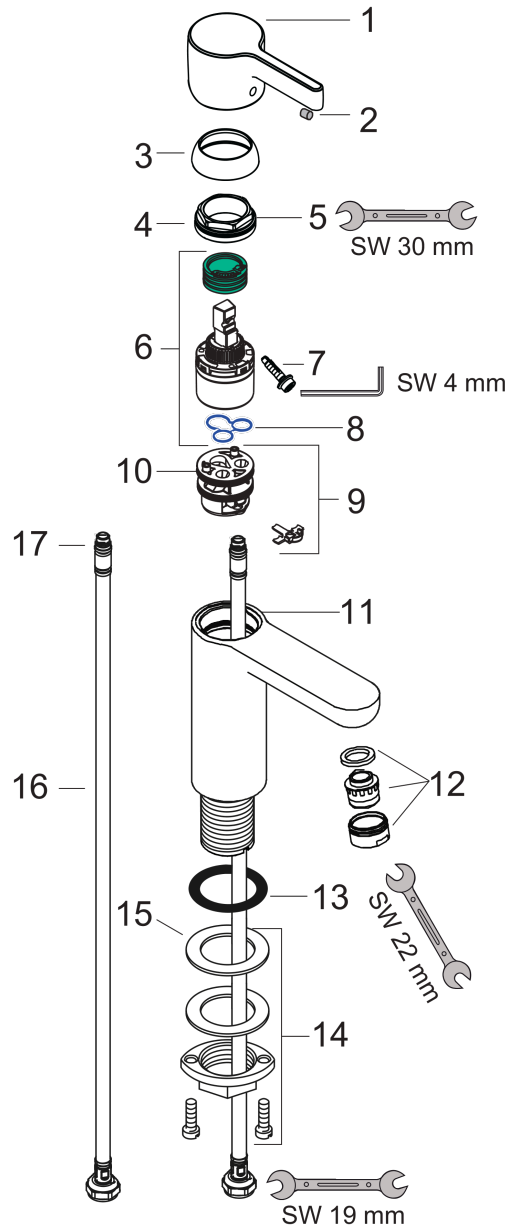


**Metris S**  
**Single lever basin mixer 100 without waste set**  
 Surfaces: **Chrome** Article Number: **31068000**



### Exploded Drawing

Year of production: >04/17



**Metris S**  
**Single lever basin mixer 100 without waste set**  
 Surfaces: **Chrome** Article Number: **31068000**



### Spare part list

Year of production: >04/17

Pos.	Description	Article Number	Price	PU
1	handle	31093000	-	1
2	screw cover	96338000	-	1
3	flange	97406000	-	1
4	nut	97209000	-	1
5	O-Ring 32x2	98193000	-	1
6	cartridge, assy	92730000	-	1
7	locking screw for handle	95140000	-	1
8	seal	95008000	-	1
9	adapter for cartridge	98750000	-	1
10	O-Ring 30x2	98186000	-	1
11	O-ring 35x2	92604000	-	1
12	aerator M24x1 (5 l/min)	13185000	-	1
13	flat seal	98749000	-	1
14	fixing set (Ø 32)	13961000	-	1
15	lever collar	97548000	-	1
16	connection hose 450 mm M8x0,75 G3/8	97206000	-	1
17	O-ring 6,6x1,6	93019000	-	1
a	pop up waste	94139000	-	1
b	fixation extension 35 mm	13898000	-	1
c	aerator M24x1 (3,5 l/min)	92508000	-	1
d	aerator M24x1 (4,5 l/min)	92877000	-	1
e	aerator swivelling M24x1 (5 l/min)	95928000	-	1